

OHS-1000 HOUSING SERIES

HOUSING, IP66, OUTDOOR



OHS-1010
w. optional wiper

OHS-1010
stainless steel



OHS-1020
w. optional wiper

OHS-1020
stainless steel



OHS-1025
w. optional wiper



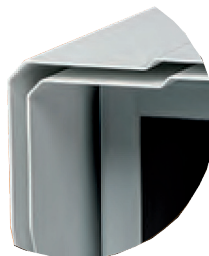
OHS-1025 DSLR
optional
double sunshield



OHS-1025
w. optional
fan cooled sunshield
and optional wiper



OHS-1030
w. optional wiper



Optional double sunshield
available for all models

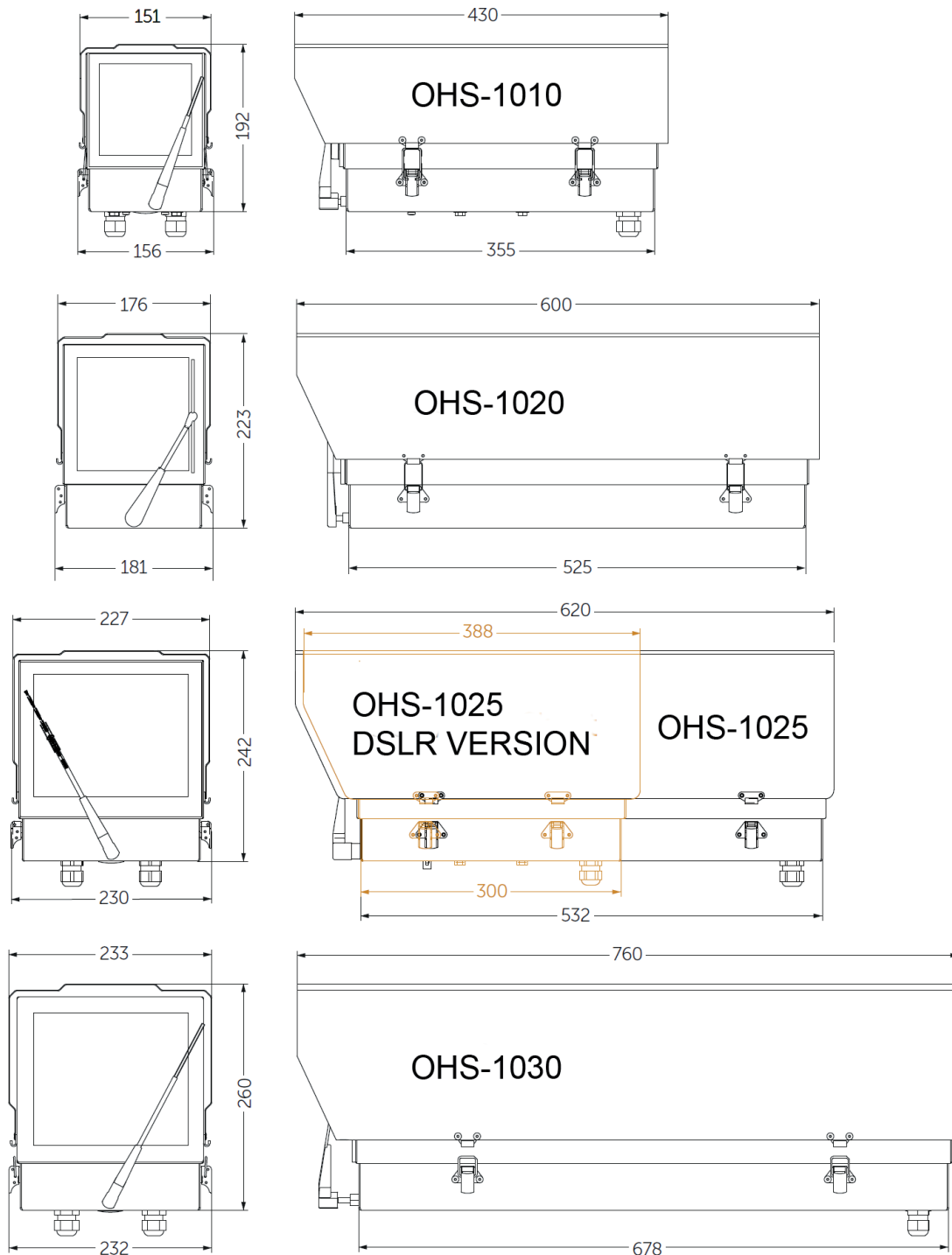


OHS-1025
Electric fan remove built up
hot air from within the unit

OHS-1000 HOUSING SERIES

HOUSING, IP66, OUTDOOR

All specifications and product descriptions are subject to changes without notice.



OHS-1000 HOUSING SERIES

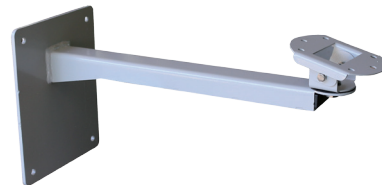
HOUSING, IP66, OUTDOOR

	OHS-1010	OHS-1020	OHS-1025	OHS-1025DSL	OHS-1030
Dimensions External (mm)					
Height (mm)	192	230	242	242	259
Width (mm)	156	180	230	230	232
Length with sunshield (mm)	430	600	620 (760)*	388	760
Depth inside base (mm)	55	55	57	57	55
Weight (Kg) (Aluminum)	2.5	3.5	5.0	4.0	6.0
Weight w/wiper (Aluminum)	3.0	4.0	5.5	4.5	6.5
Weight w/wiper and fan cooled sunshield			6.3		
Weight 316 stainless without wiper	4.7	8.2	N/A	N/A	N/A
Weight 316 stainless with wiper	TBA	TBA	N/A	N/A	N/A

Voltage versions	AC240V, AC24V, DC12V, DC24V				
Internal size mm (L x H x W)	330x114x110	510x140x145	505x178x167	273x178x167	650x180x170
Material	Aluminum housing with stainless fittings				
Cable entry	Two 20mm glands and one 25mm blinded hole				
Heater	32W self regulating heater.				
House colour	Grey	Grey	Grey/white	Grey/white	Grey/white
Temp. Range	-25° ~ +55°C				

Options:

Integral self park wiper	AC230V, AC24V, DC12V, DC24V
Fan cooled sunshield	12VDC 540mA with replaceable filter OHS-1025 ONLY
Internal fan	DC12V or DC24V
Washer unit	AC230V, AC24V, DC12V, DC24V
Valdal screws	
Vandal glass	
Double Sunshield	To protect against the heat generated by sunrays
Optional Painting:	Military Specification Painting Marine Specification Painting (Protects against corrosion)



Wall Bracket OHS-1000 Series