

MARINE ENVIRONMENT

Stainless Steel Camera Housing, IP67

Internal size for lens and camera 60x60x95mm or 60x60x175mm



OHS-3001-200SWMB
with Standard Window
and optional Pole Bracket



OHS-3001-120SWMB
with Germanium Window
and optional Pole Bracket



Housing with Wall bracket



Housing with Ceiling bracket

MARINE ENVIRONMENT

Stainless Steel Camera Housing, IP67

All specifications and product descriptions are subject to changes without notice.

Models with Wall Brackets	OHS-3001-120SWMB	OHS-3001-200SWMB
Housing Body Length:	120mm	200mm
Length with bracket and sunshield:	389mm	469mm
Material:	AIS316L Stainless Steel	
Internal length:	116mm	196mm
Internal length with heater:	96mm	176mm
Usable space area:	60x60mm	
Window size :	73mm (optional germanium window 50mm or 70mm)	
Cable Entry:	M20x1,5 cable for 6-10mm	
Weight:	5-6 kg	
Voltages:	Voltages available for heater and wiper DC24V, AC24V, AC110V, AC240V	
Approvals:	CE	
Brackets:	Wall Bracket	
Option: Heater	8W	
Option: Painting	Painted to customer specifications	

Models with Ceiling Brackets	OHS-3001-120SCMB	OHS-3001-200SCMB
Housing Body Length:	120mm	200mm
Length with bracket and sunshield:	293mm	373mm
Material:	AIS316L Stainless Steel	
Internal length:	116mm	196mm
Internal length with heater:	96mm	176mm
Usable space area:	60x60mm	
Window size:	73mm (optional germanium window 50mm or 70mm)	
Cable Entry:	M20x1,5 cable for 6-10mm	
Weight:	5-6 kg	
Voltages:	Voltages available for heater and wiper DC24V, AC24V, AC110V, AC240V	
Approvals:	CE	
Brackets:	Ceiling Bracket	
Option: Heater	8W	
Option: Painting	Painted to customer specifications	



Corner Bracket



Pole Bracket

MARINE ENVIRONMENT

Stainless Steel Camera Housing, IP67

Internal size for lens and camera 80x80x214mm or 80x80x314mm



OHS-3002/360

Stainless Steel AIS-316 (Protect against salt water environment)



OHS-3002/360

Painted White for Cruise Ship



With Optional Wiper

MARINE ENVIRONMENT

Stainless Steel Camera Housing, IP67

Models	OHS-3002/360	OHS-3002/460
Housing Body Length:	374mm (with sunshield 472mm)	474mm (with sunshield 571mm)
Material	AIS316L Stainless Steel	
Internal length without heater and wiper	318mm	418
Internal length with heater	269mm	369
Internal length with heater and wiper	214mm	314
Usable space area	80x80mm	
Window size for models without wiper	89mm (optional germanium window 69mm)	
Window size for models with wiper	71mm (optional germanium window 49mm)	
Weight	6-8 kg	
Voltages	Voltages available for heater and wiper DC24V, AC24V, AC110V, AC240V	
Approvals	CE	
Option: Brackets	Wall bracket, corner bracket, polebracket.	
Option: Heater	8W	
Option: Painting	Painted to customer specifications	

All specifications and product descriptions are subject to changes without notice.

Optional Brackets



Wall Bracket



Corner Bracket



Pole Bracket



Optional Pan Tilt Head PT-1360SS



Optional Pan Tilt Head PT-1350SS

MARINE ENVIRONMENT

Stainless Steel Camera Housing, IP67

Internal size for lens and camera 96x96x346mm or 96x96x446mm



All specifications and product descriptions are subject to changes without notice.

Models	OHS-3003/500	OHS-3003/600
Housing Body Length:	507mm (with sunshield 651mm)	607mm (with sunshield 751mm)
Material	AISI316L Stainless Steel	
Internal length without heater and wiper	456mm	556mm
Internal length with heater	346mm	446mm
Internal length with heater and wiper	346mm	446mm
Usable space area	96x96mm	
Window size for models without wiper	129mm (optional germanium window 69 or 109mm)	
Window size for models with wiper	103mm (optional germanium window 69 or 109mm)	
Weight	9-13 kg	
Voltages	Voltages available for heater and wiper DC24V, AC24V, AC110V, AC240V	
Approvals	CE	
Option: Brackets	Wall bracket, corner bracket, polebracket.	
Option: Heater	15W	
Option: Painting	Painted to customer specifications	



Wall Bracket



Pole Bracket



Optional Pan Tilt Head PT-1350SS

MARINE ENVIRONMENT

Stainless Steel Camera Housing, IP67

Internal size for lens and camera 122x122x359mm or 122x122x459mm



OHS-3004 Housing with sunshield heater and wiper with 139mm germanium window



Wall Bracket



Pole Bracket

MARINE ENVIRONMENT

Stainless Steel Camera Housing, IP67

Models	OHS-3004/500	OHS-3004/600
Housing Body Length:	512mm (with sunshield 651mm)	612mm (with sunshield 751mm)
Material	AIS316L Stainless Steel	
Internal length without heater and wiper	459mm	559
Internal length with heater	359mm	459
Internal length with heater and wiper	359mm	459
Usable space area	122x122mm	
Window size for models without wiper	109, 144mm (optional germanium window 69,109 or 144 mm)	
Window size for models with wiper	120-140mmmm (optional germanium window 69 mm)	
Weight	14-17 kg	
Voltages	Voltages available for heater and wiper DC24V, AC24V, AC110V, AC240V	
Approvals	CE	
Option: Brackets	Wall bracket, corner bracket, polebracket.	
Option: Heater	20W	
Option: Painting	Painted to customer specifications	

All specifications and product descriptions are subject to changes without notice.

MARINE ENVIRONMENT

Stainless Steel Camera Housing, IP67

Internal size for lens and camera 177x177x493mm or 177x177x593mm



OHS-3005



MARINE ENVIRONMENT

Stainless Steel Camera Housing, IP67



All specifications and product descriptions are subject to changes without notice.

Models	OHS-3005/600	OHS-3005/700
Housing Body Length:	637mm (with sunshield 706 or 806mm)	737mm (with sunshield 771 or 871mm)
Material	AIS316L Stainless Steel	
Internal length without heater and wiper	600mm	700mm
Internal length with heater	517mm	617mm
Internal length with heater and wiper	493mm	593mm
Usable space area	177x177mm	
Window size for models without wiper	200mm	
Optional Germanium Window	155mmmm	
Weight	22-28 kg	
Voltages	Voltages available for heater and wiper DC24V, AC24V, AC110V, AC240V	
Approvals	CE	
Option: Brackets	Wall bracket, corner bracket, polebracket.	
Option: Heater	25W	
Option: Painting	Painted to customer specifications	

HARSH ENVIRONMENT OFFSHORE

Stainless Steel PanTilt Unit, AIS316, IP67



PT-1350SS316 with side mount bracket



PT-1350SS316 with hollow shaft
for OHS-3002 Housing



(24V DC VERSION)

Pan Tilt Head PT-1350SS

- AISI316L Stainless Steel construction
- For use in highly corrosive environments
- Waterproof Standard IP67
- Maximum Load 25 kg
- 24VDC
- Pre-set positioning fitted as standard
- Temperature Range -20°C ~ +55°C
- Weight: 18 kg
- Pan Angle: 350° Max
- Pan Speed: 0-18° / second
- Pan Torque: 80Nm
- Tilt Angle: 350° Max
- Tilt Speed: 0-9.5° / second
- Tilt Torque: 107Nm
- Backlash: < 0.1°
- Optional: Wall mount bracket, pole mount bracket

(24V AC VERSION) (Optional 230V AC VERSION)

Pan Tilt Head PT-1350SS

- AISI316L Stainless Steel construction
- For use in highly corrosive environments
- Waterproof Standard IP67
- Maximum Load 25 kg
- 24VAC
- Pre-set positioning fitted as standard
- Temperature Range -20°C ~ +55°C
- Weight: 18 kg
- Pan Angle: 350° Max
- Pan Speed: 6° / second
- Pan Torque: 30Nm
- Tilt Angle: 3° / second
- Tilt Speed: 0-9.5° / second
- Tilt Torque: 60Nm
- Backlash: < 0.1°
- Optional: Wall mount bracket, pole mount bracket

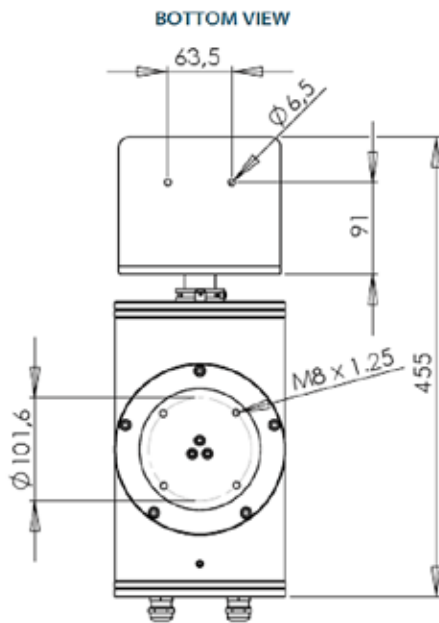
GENERAL:

- Mounting: 4xM8 on 101.6 mm PCD
- Cable entries: 2 M20x1,5 included
- Standard cable diameter 6-10mm (optional 8-12mm)

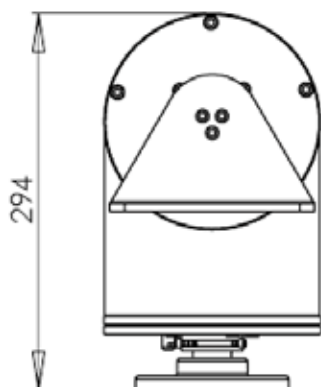
HARSH ENVIRONMENT OFFSHORE

Stainless Steel PanTilt Unit, AIS316, IP67

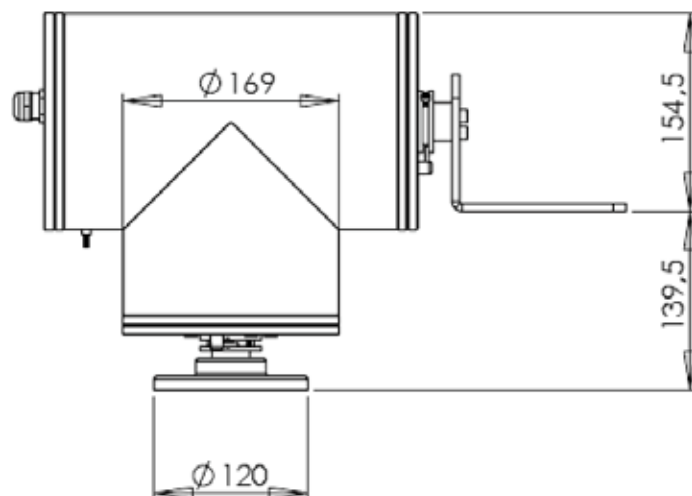
MOUNTING BRACKETS (OPTIONAL)



SIDE VIEW



FRONTAL VIEW



HARSH ENVIRONMENT OFFSHORE

Stainless Steel PanTilt Unit, AIS316, IP67



Pan Tilt Head PT-1360SS



Pan Tilt Head PT-1360SS

Pan Tilt Head PT-1360SS

- AISI316L Stainless Steel construction
- For use in highly corrosive environments
- Waterproof Standard IP67
- Maximum Load 25 kg
- 24VDC
- Pre-set positioning fitted as standard
- Temperature Range -20°C ~ +55°C
- Weight: 18 kg
- Pan Angle: 400° Max
- Pan Speed: 0-18° / second
- Pan Torque: 80Nm
- Tilt Angle: -90° ~ +45°
- Tilt Speed: 0-9.5° / second
- Tilt Torque: 107Nm
- Backlash: < 0.1°
- Load Capacity: 25 kg
- Optional: Wall mount bracket, pole mount bracket
- **GENERAL:**
- Mounting: 4xM8 on 101.6 mm PCD
- Cable entries: 2 M20x1,5 included
- Standard cable diameter 6-10mm (optional 8-12mm)

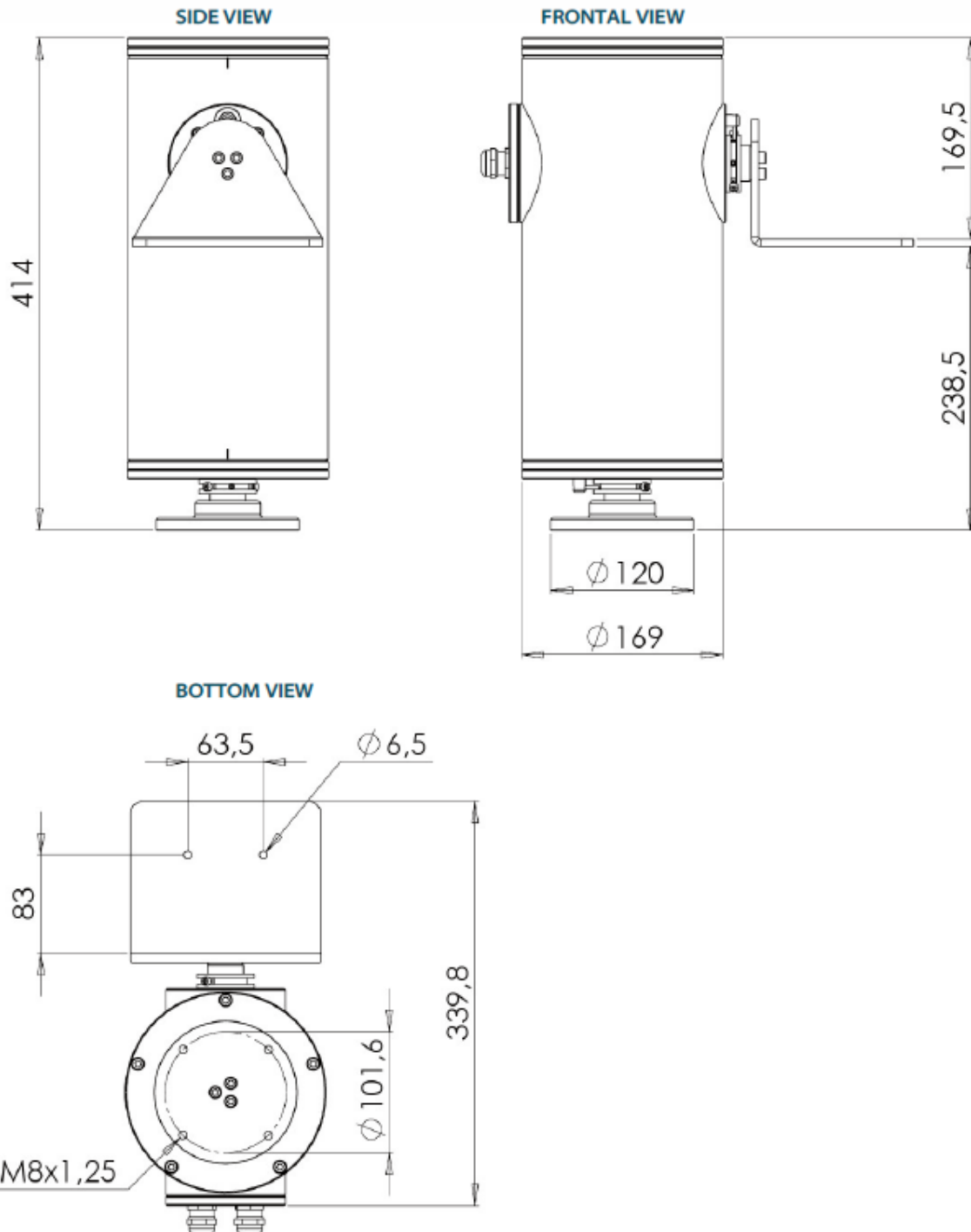


PT-1360SS with OHS-3002 and optional Wall Bracket

**Camera Housings OHS-3001, OHS-3002, OHS-3003
for PT-1360SS**

HARSH ENVIRONMENT OFFSHORE

Stainless Steel PanTilt Unit, AIS316, IP67



All specifications and product descriptions are subject to changes without notice.

BW-2 WASHER PUMP SERIES

Washer Pump Series, Stainless Steel Frame



Stainless Steel models IP56:

BW2/5-5	5 Liter with pump and 5 meter rubber tube. Water lift up to 5 meter
BW2/5-10	5 Liter with pump and 10 meter rubber tube. Water Lift up to 10 meter
BW2/10-5	10 Liter with pump and 5 meter rubber tube. Water Lift up to 5 meter
BW2/10-10	10 Liter with pump and 10 meter rubber tube. Water Lift up to 10 meter
BW2/25-5	25 Liter with pump and 5 meter rubber tube. Water Lift up to 5 meter
BW2/25-10	25 Liter with pump and 10 meter rubber tube. Water Lift up to 10 meter
BW2/25-15	25 Liter with pump and 15 meter rubber tube. Water Lift up to 15 meter
BW2/25-30	25 Liter with pump and 30 meter rubber tube. Water Lift up to 30 meter*

* This model is not shown in the picture

Options:

Nozzle for camera housing.
Float switch alarm output.
Junction Box IP66 rated.

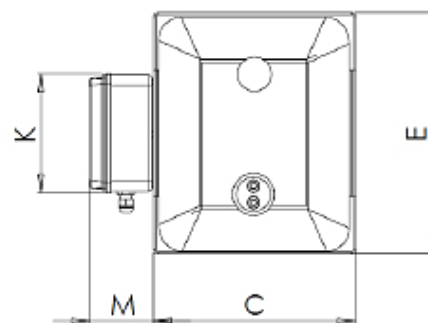
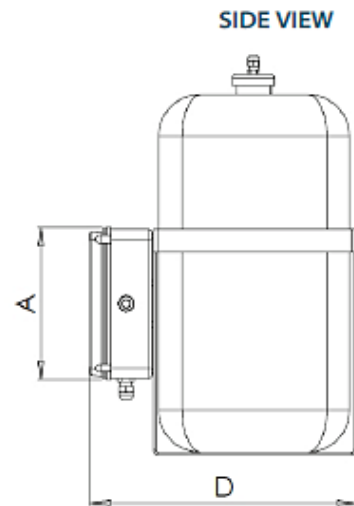
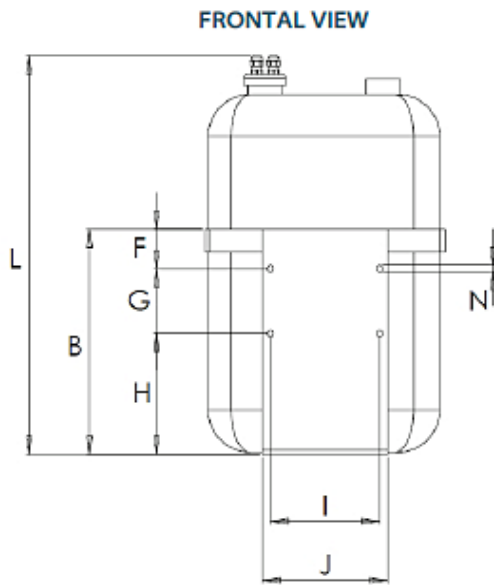
Stainless Steel Cabinet model available. Ask for separate datasheet

Voltage available:

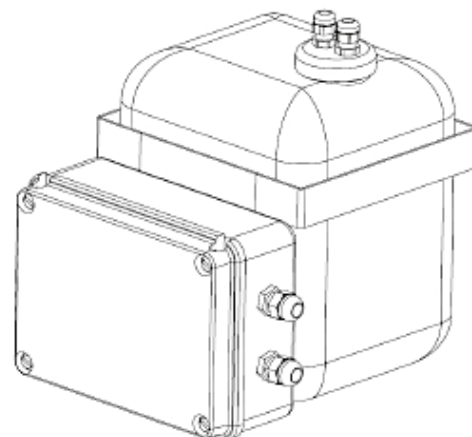
DC12V, DC24V, AC24V, AC110V, AC240V

BW-2 WASHER PUMP SERIES

Washer Pump Series, Stainless Steel Frame



	BW2/5	BW2/10	BW2/25
A	154	200	200
B	185	250	296
C	178	200	266
D	259	281	347
E	190	235	315
F	75	110	52
G	85	85	85
H	25	55	159
I	88	144	144
J	110	165	165
K	150	150	150
L	260	340	500
M	81	81	81
N	8,5	8,5	8,5



Position of the junction box on BW2/5

BW-2 WASHER PUMP SERIES

Washer Pump Series, SS314 Steel Cabinet



All specifications and product descriptions are subject to changes without notice.

Washer units build-in a Stainless Steel AIS304, IP56 cabinet:

BW2/5-10-SS	5 Liter with pump and 10 meter rubber tube. Water Lift up to 10 meter
BW2/10-10-SS	10 Liter with pump and 10 meter rubber tube. Water Lift up to 10 meter
BW2/25-10-SS	25 Liter with pump and 10 meter rubber tube. Water Lift up to 10 meter
BW2/25-15-SS	25 Liter with pump and 15 meter rubber tube. Water Lift up to 15 meter

Voltage available:

DC24V, AC24V, AC110V, AC240V

Hose:

EPDM black rubber 4x6mm

Options:

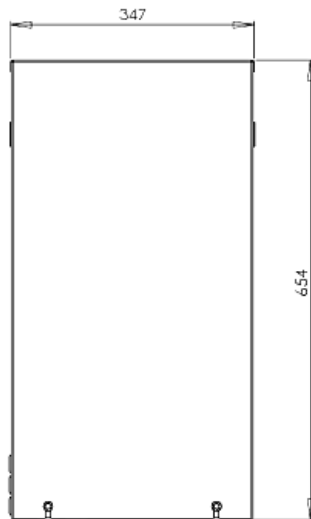
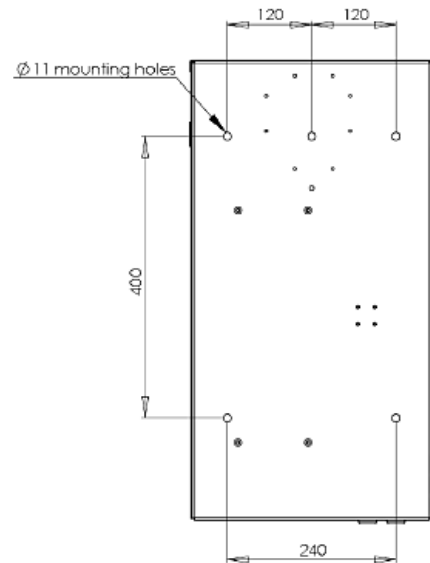
Nozzle for wiper

AIS316 stainless steel cabinet and IP66 junction box

Weight: 14 kg

BW-2 WASHER PUMP SERIES

Washer Pump Series, SS314 Steel Cabinet

EXTERNAL FRONTAL VIEW**SIDE VIEW****MOUNTING PATTERN****TOP VIEW**