

# PAN AND TILT HEADS

## PT-1030 Heavy Duty, IP68, Lash <0,20°



All specifications and product descriptions are subject to changes without notice.

<b>Max Load</b>	Side mount format 50 kg	
	Top mount format 20 kg (30 kg and 45 kg with gas strut compensator)	
<b>Voltages</b>	DC24V or DC12V	
<b>Mechanical Size (mm)</b>	Side mount 235(H)x221(W)x171(D) Top mount 251(H)x231(W)x171(D)	
<b>Weight (kg)</b>	< 12	
<b>Speed (°/sec) DC</b>	Pan: 30 or 10	Tilt: 10
<b>Operation Angle: Side Mount</b>	Pan: 360°	Tilt: ± 180°
<b>Operation Angle: Over the top Mount</b>	Pan: 360°	Tilt: -90 ~ +25°
<b>Temperature range</b>	-25°C ~ +55°C Optional heater	
<b>Color</b>	Gray	
<b>Lash</b>	< 0.20°	
<b>Protection</b>	IP68	

# PAN AND TILT HEADS

## PT-1030 Heavy Duty, IP68, Lash <0,20°

- Carrying capacity up to 50kg on a side mount or up to 45kg over the top mount.
- To achieve maximum load use slow speed gearbox an balanced load.
- PT-1030 heavy duty pan & tilts are available in DC24V or DC12V.
- Like the PT1010 and PT1020 ranges, PT1030 are totally maintenance free.
- Long life potentiometers standard, optional extended long life potentiometers.
- Mechanical braking.

Dimensions mm	Side Mount	Over the top
Height	236	251
Width to platform face	221	231
Width to platform outer edge	406	N/A
Depth (without plugs)	171	171
<b>Weight kg</b>	<12	<12
Fixing centres	Base	4 holes tapped M6 on 4" (101.6) PCD plus 4 holes 6.35 Dia on 4" (101.6) PCD
	Platform	Key hole slots on 4" PCD
<b>Voltages</b>	<b>12VDC</b>	<b>24VDC</b>
<b>Speeds / sec</b>	<b>DC</b>	<b>DC</b>
Pan	30 or 10	30 or 10
Tilt	10	10
<b>Max Load</b>	50 kg	20 kg
With 1 gas strut compensator	N/A	30 kg
With 2 gas strut compensator	N/A	45 kg
<b>Operational Angles</b>	Pan	Tilt
Side mount	360°	± 180°
Over the top mount	360°	-90 ~ +25°
<b>Lash</b>	< 0.20°	
<b>Long Life potentiometers</b>	As standard	
<b>Control cable</b>	Mating connector supplied	
<b>House color</b>	Goose Grey	
<b>Maintenance</b>	None required	
<b>Temp. range C</b>	-25 ~ +55 (Heater available)	

# PAN AND TILT HEADS

## PT-1030 Heavy Duty, IP68, Lash $<0,20^{\circ}$



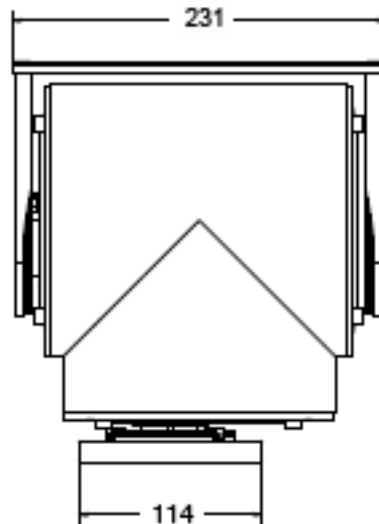
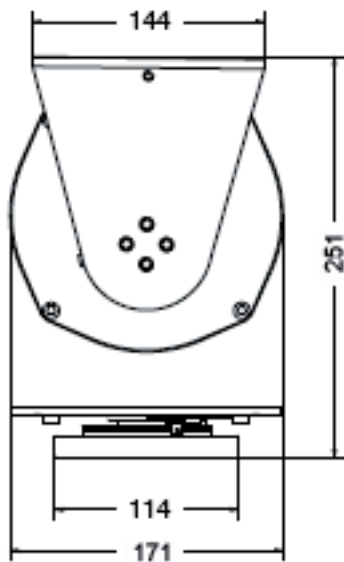
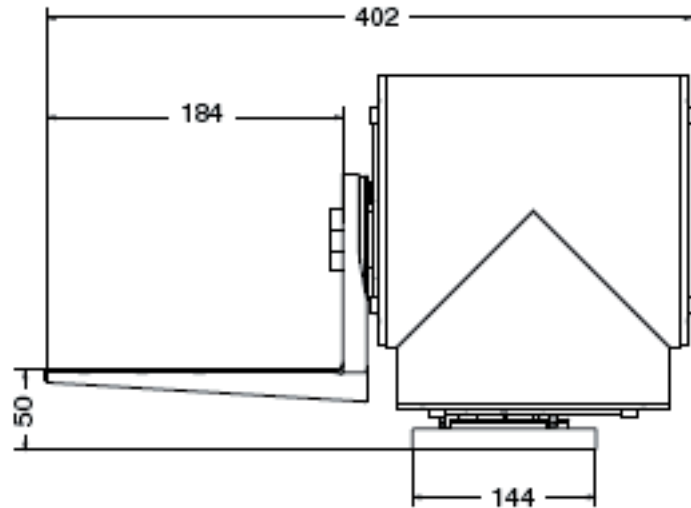
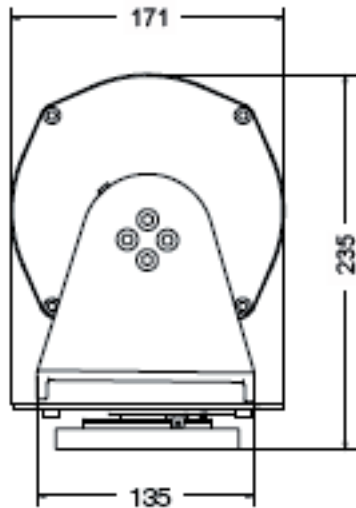
**PT-1030 with 2 gas compensators.**

Load capacity with 1 gas compensator 30 kg

Load capacity with 2 gas compensator 45 kg

# PAN AND TILT HEADS

PT-1030 Heavy Duty, IP68, Lash <0,20°



All specifications and product descriptions are subject to changes without notice.