

# RS-485/422 PAN AND TILT HEADS

## Max Load 50 kg, IP66, ABSOLUTE POSITION



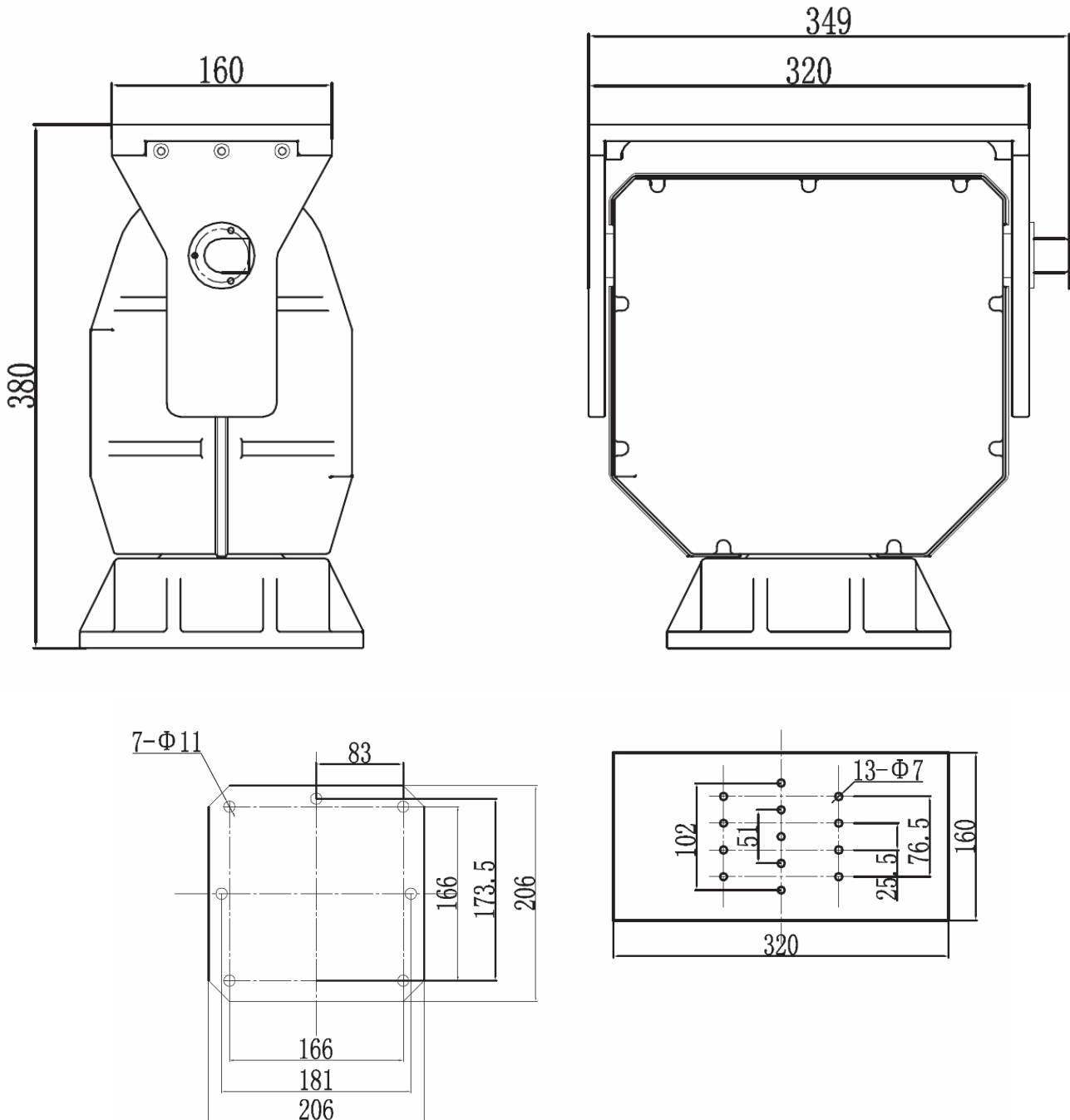
PT-2050

•Material:	Aluminum
•Color:	Gray
•Motor Type:	Step motor
•Pan angle: PT-2050	Pan 0-360° with endstop
•Pan angle: PT-2050CR	Pan 360° Continuous Rotation
•Tilt angle: PT-2050	Max tilt -45° to +45° (option: custom angle up to -90° to +90°)
•Speed:	Pan 0.01°~ 12°/sec (64 step) Tilt 0.01°~ 8°/sec (64 step)
•Absolute position support:	Yes (QUERY and SET command for angle set and readout)
•Self-test:	No self-test as default. (Can be enabled by a command)
•Mechanical lash:	<0,1°
•Load Capacity:	Top mount up to 50 kg (side mount brackets optional)
•Voltage Supply:	DC24V
•Operation Temperature:	-10°C to +60°C (-25°C to +60°C with optional heater)
•Weight:	23 kg
•Size (mm):	D206 x W320 x H380 mm (See drawing)
•Protection:	IP66
•Electric power:	Max. 4A. (Stand by mode 0,07A)
•Baud rate :	2400/4800/9600/19200 bps, N,8,1
•Protocol :	PELCO-D with extended commands
•Receiver function :	PRESETS: 100
•Communication interface :	RS-485/RS-422
•Wiring:	STx wiring or customized wiring (lens and aux control optional)

# RS-485/422 PAN AND TILT HEADS

Max Load 50 kg, IP66, ABSOLUTE POSITION

All specifications and product descriptions are subject to changes without notice.



PT-2050