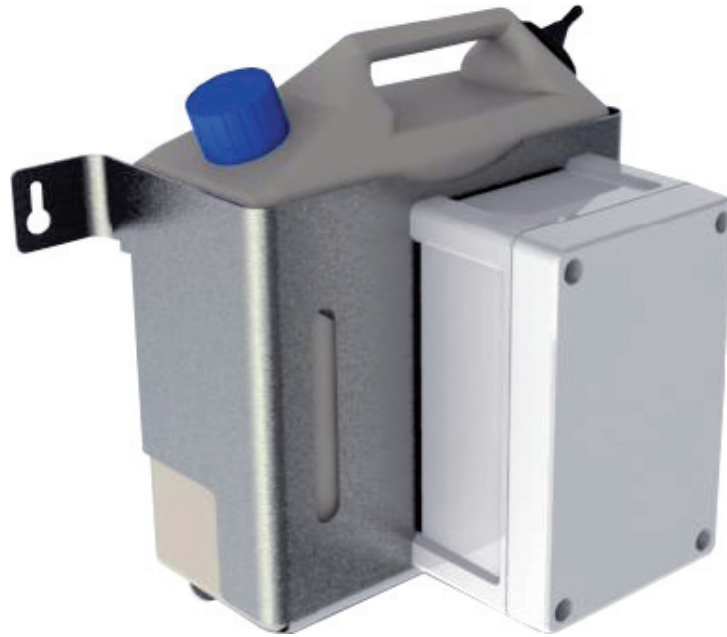


# BW-1 WASHER PUMP SERIES

## Washer Pump Series, Stainless Steel, IP65



**BW1/5-12**

All specifications and product descriptions are subject to changes without notice.

Three different models of washer units for 2B Security Systems 1000 Series Housing. All tree washers have a pump head height of up to 12 meter. The washer is delivered with a stainless steel water container frame in stainless steel 304 designed to avoid corrosion with a ABS enclosure.

<b>Models available:</b>	<b>BW1/5-12</b>	<b>BW1/10-12</b>	<b>BW1/25-12</b>
Water container	5 liter	10 liter	25 liter
Head height:	12 meter		
Supply voltage	AC24V or DC24V (option) or AC220-230V (option)		
Power Consumption	60w max		
Color	Light gray		
Rating	IP65		

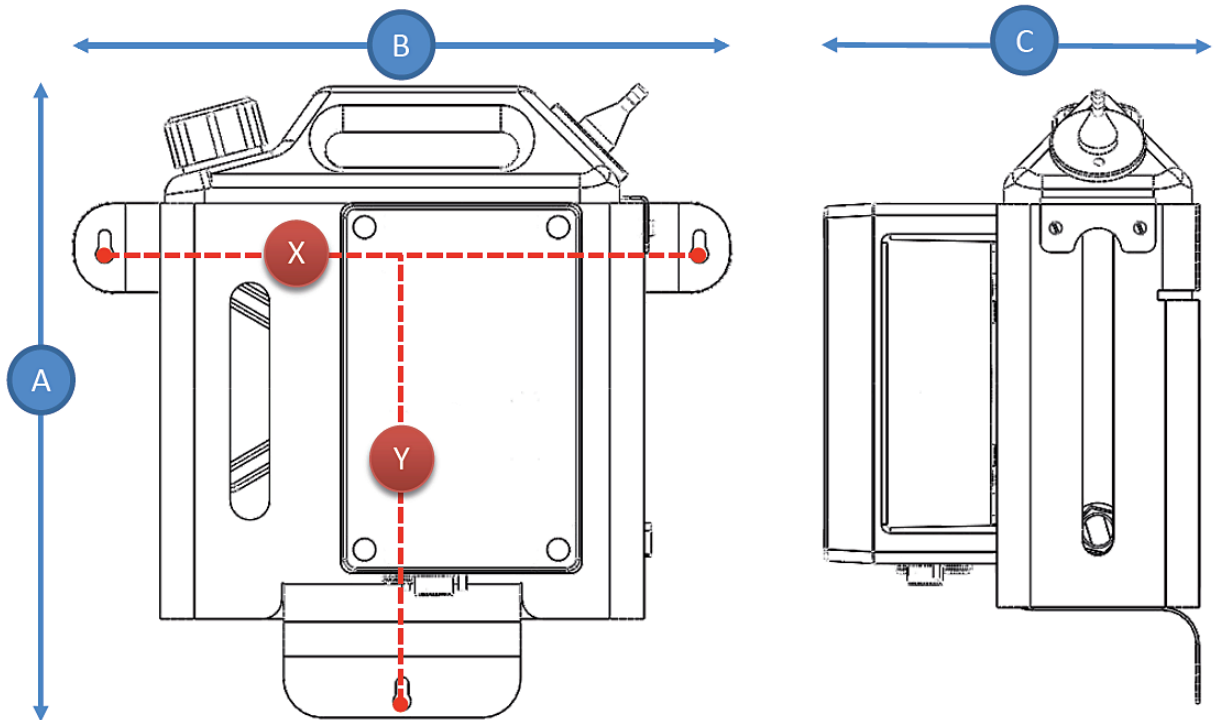
**Hose and Nozzle is included!**

<b>Options</b>	
Flood Switch option	Cuts off pump at low water level
Refill alarm only when flood switch is installed option	To alert that the bottle needs refilling
RS-485 Communication option	RS-485 communication
316SS Option	316L grades stainless steel frame option

# BW-1 WASHER PUMP SERIES

## Washer Pump Series, Stainless Steel, IP65

### Dimensions



All specifications and product descriptions are subject to changes without notice.

Mechanical Size	BW1/5-12	BW1/10-12	BW1/25-12
<b>A</b>	320	480	560
<b>B</b>	332	410	455
<b>C</b>	195	185	210
<b>Mounting</b>			
<b>X</b>	301	380	430
<b>Y</b>	231	310	340

Mounting holes are suitable for screws up to 10mm in diameter.