

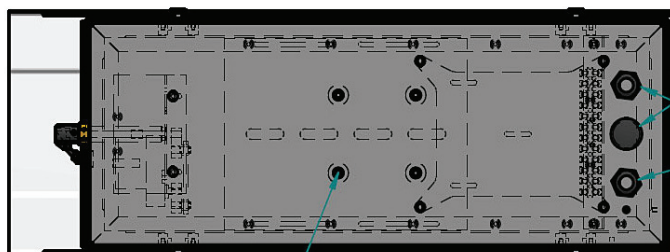
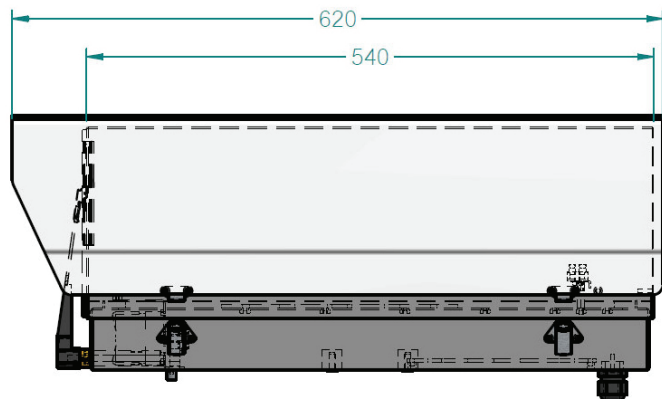
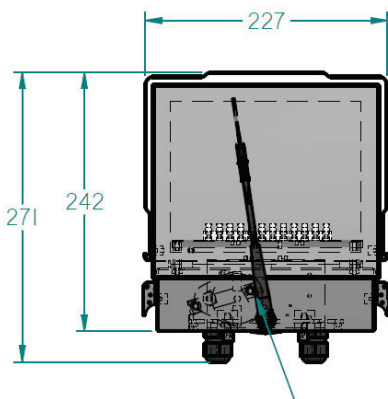
# OHS-1025 HOUSING

## IP66, OUTDOOR



<b>Weight (Aluminum)</b>	<b>5,6 kg</b>
<b>Internal Size</b>	<b>500mm(L)x175mm(W)x165mm(H)</b> <b>(55mm (H) bottom space)</b>
<b>Window heater</b>	<b>DC24V Progressive up to 32W</b>
<b>Wiper</b>	<b>DC24V self parking</b>
<b>Internal fan</b>	<b>DC24V OPTION</b>
<b>Color housing</b>	<b>Grey/White</b>
<b>Temperature range</b>	<b>-25°~+55°C</b>
<b>Environmental Protection</b>	<b>IP66</b>
<b>Options:</b>	<b>Double Sunshield</b> <b>"To protect against Sun Radiation Heat".</b>

All specifications and product descriptions are subject to changes without notice.



25mm Blanking Grommet

20mm Cable Gland

4x M6 Hex Head Screws  
on a 4" (101.6mm) PCD