

PAN AND TILT HEADS

PT-1020 Medium Duty, IP68, Lash <0,20°



Medium Duty Series

The PT-1020 is available in three different versions:

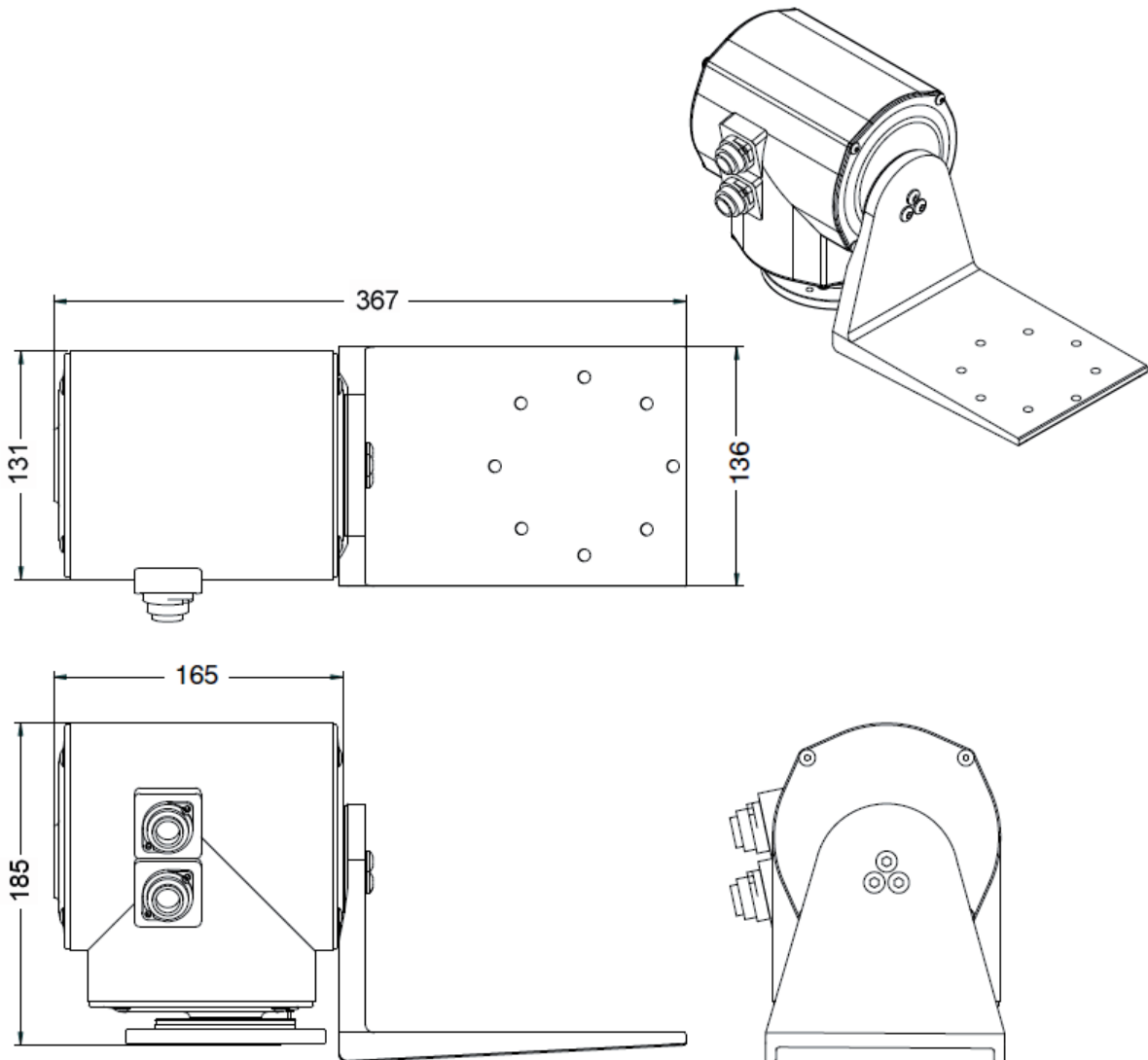
- Standard Version without receiver DC24V, DC12V, AC24V, AC110V, AC240V
- Stainless Steel 316 Version DC24V only. Top mount only
- Pelco D or Pelco P Version. RS-485 Receiver built-in, DC24V only

The receiver is full function with presets, tours, electronic endstops.

Max Carrying Capacity	Side mount format 25 kg	
	Top mount format 16 kg	
Voltages	DC24V, DC12V, AC24V, AC110V, AC240V	
Mechanical Size (mm)	Side mount 185(H)x367(W)x131(D) Top mount 202(H)x184(W)x131(D)	
Weight (kg)	< 6	
Speed (°/sec) AC	Pan: 3 or 6 or 12	Tilt: 3 or 6
Speed (°/sec) DC	Pan: 12 or 18 or 24 or 32 or 48	Tilt: 12 or 18
Operation Angle: Side Mount	Pan: 350°	Tilt: ± 180°
Operation Angle: Over the top Mount	Pan: 350°	Tilt: -90 ~ +25°
Temperature range	-25°C ~ +55°C Optional heater	
Color	Gray	
Lash	< 0.20°	
Protection	IP68	

PAN AND TILT HEADS

PT-1020 Medium Duty, IP68, Backlash <math><0,15^\circ</math>



All specifications and product descriptions are subject to changes without notice.