

RS-485 PAN AND TILT HEADS

Max Load 15 kg, IP66, ABSOLUTE POSITION



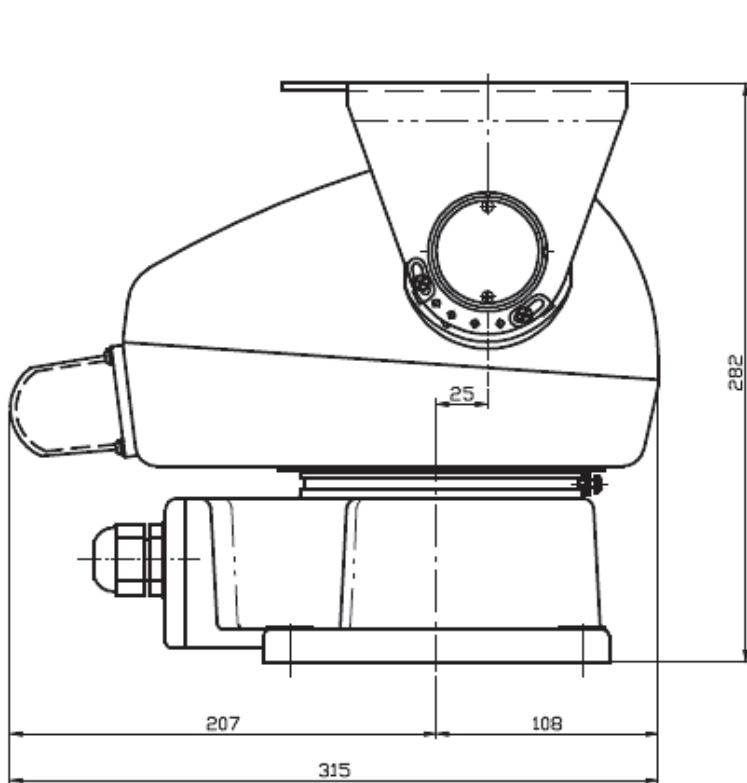
PT-2002 with OHS-1020 Housing

All specifications and product descriptions are subject to changes without notice.

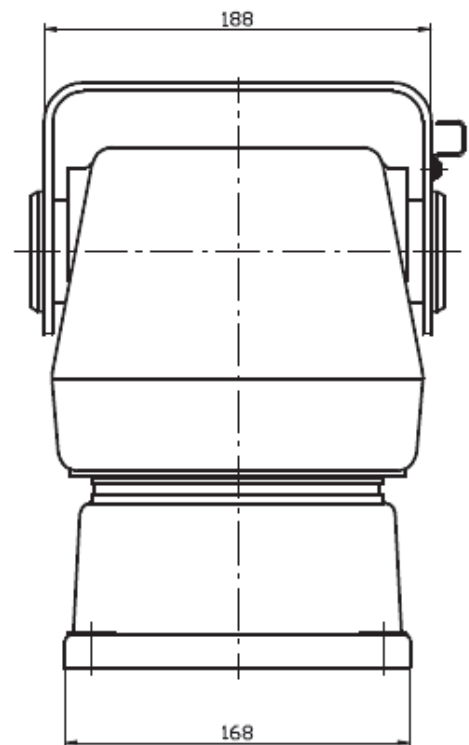
- Material: Aluminum die casting
- Color: Gray corrosive protecting paint
- Motor Type: DC motor
- Rotating angle: PT-2002
Pan 0-355° ±5%
Max tilt -50° to +25°±5°
- Rotating speed: Pan 0.1°~ 25°/sec ±0.2°(variable speed)
Tilt 0.1°~ 12°/sec ±0.2°(variable speed)
- Electric position accuracy: Pan: 0.01089° Tilt: 0.005005°
- Mechanical Lash: <0.3°
- Load: Max. 15 kg
- Voltage Supply: DC24V (AC230V to DC24V PSU included).
(AC110V Optional)
- Temperature: -10°C to +60°C (-25°C to +60°C with optional heater)
- Weight: 10 kg
- Size mm: 316Lx283Hx188W
- Protection: IP66
- Electric power : Max. 60W. Stand by mode 5W
- Baud rate : 2400, 4800, 9600, 19200 bps, N,8,1
- Protocol : PELCO-D, Absolute position, Position readout
- Receiver function : PRESETS: 100
Built-in receiver address setting range from 0~up to 255
Communication interface : RS-485

RS-485 PAN AND TILT HEADS

Max Load 15 kg, IP66, ABSOLUTE POSITION



SIDE VIEW (LEFT)



FRONT VIEW