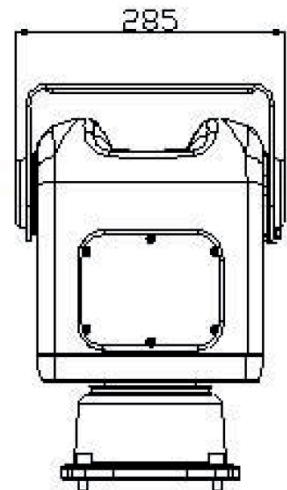
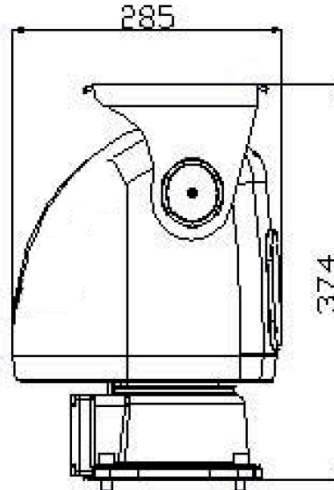


# RS-485 PAN AND TILT HEADS

Max Load 60 kg (80 kg optional) IP66.



PT-7700



All specifications and product descriptions are subject to changes without notice.

**Material:**

•Color:

•Motor Type:

•Rotating angle: PT-7700

•Rotating angle: PT-7700CR

•Speed:

•Positioning accuracy:

•Load:

•Voltage Supply:

•Temperature:

•Weight:

•Size:

•Protection:

•Electric power:

•Baud rate :

•Protocol :

•Receiver function :

Communication interface :

Aluminum die casting / plast

Dark Gray corrosive protecting paint

Servo motor

Pan 0-345° ±5%

Max tilt -90° to +30°

Pan 360° Continuous Rotation

Max tilt -90° to +30°

Pan 0.1°~ 60°/sec

Tilt 0.1°~ 30°/sec

<0,1°

60kg (max +- 30° tilt) (80 kg optional)

DC24V (AC90-240V PSU included)

-10°C to +65°C (-25°C to +65°C with optional heater)

16 kg

285Lx374Hx285W

IP66

Max. 200W. (Stand by mode 3W)

2400/4800/9600/19200 bps, N,8,1

PELCO-D, Absolute position, Position readout

PRESETS: 256

Network cable (optional)

Control Motorized zoom lens (ZOOM, FOCUS) Network cable optional

Built-in receiver address setting range from 0~up to 255

RS-485 (RS-422 optional)