

# CCTV LENSES MEGAPIXEL

## 32x Motorized Zoom 15.6-500mm, 1/2", F3.9

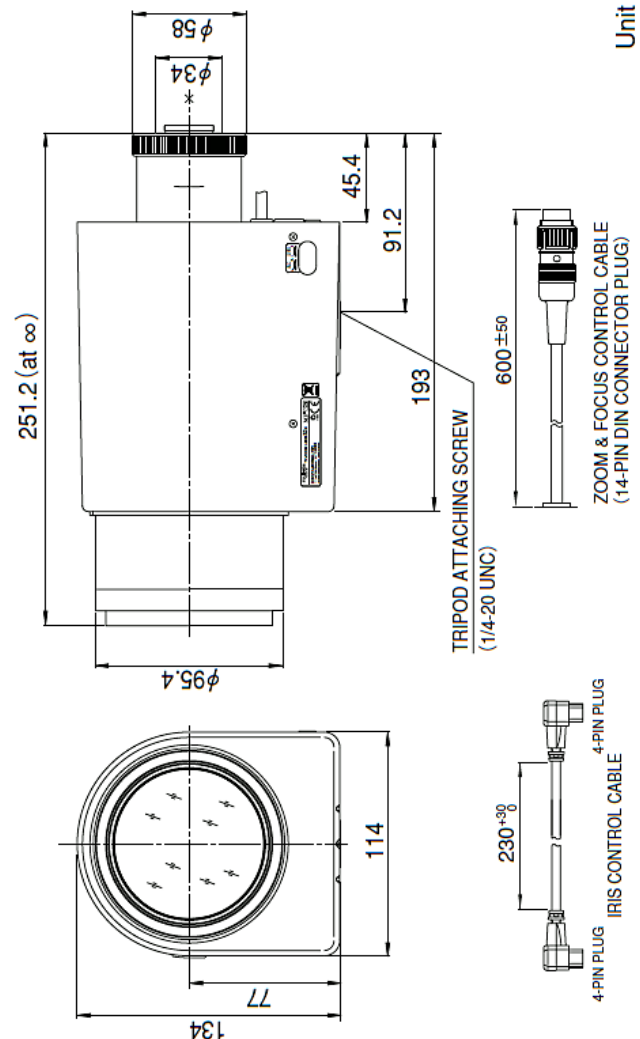


### Day and Night Lens

Providing support for up to 1.3 megapixel camera resolution

All specifications and product descriptions are subject to changes without notice.

Focal Length (mm)		15.6~500 (32x)	
Iris Range		F3.9~F1500	
Operation	Zoom	Motor drive	
	Focus	Motor drive	
	Iris	Autoiris or DC	
Angle of View (HxV)	1/2"	Wide	23.11 x 17.30
		Tele	0.44 x 0.33
	1/3"	Wide	17.30 x 13.10
		Tele	0.33 x 0.25
	1/4"	Wide	13.10 x 9.54
		Tele	0.25 x 0.19
M.O.D		3 meter	
Object Dimensions at M.O.D. (HxV) mm	1/2"	Wide	1152 x 864
		Tele	37 x 28
	1/3"	Wide	864 x 648
		Tele	28 x 21
	1/4"	Wide	648 x 486
		Tele	21 x 16
Back focus		44.92	
Exit Pupil Position (mm)		-75	
Filter Thread (mm)		M82 x 0.75	
Mount		C	
Mass (kg)		2.7	
Standard accessories		Iris control cable Connection connector (14-pin)	



Unit : mm