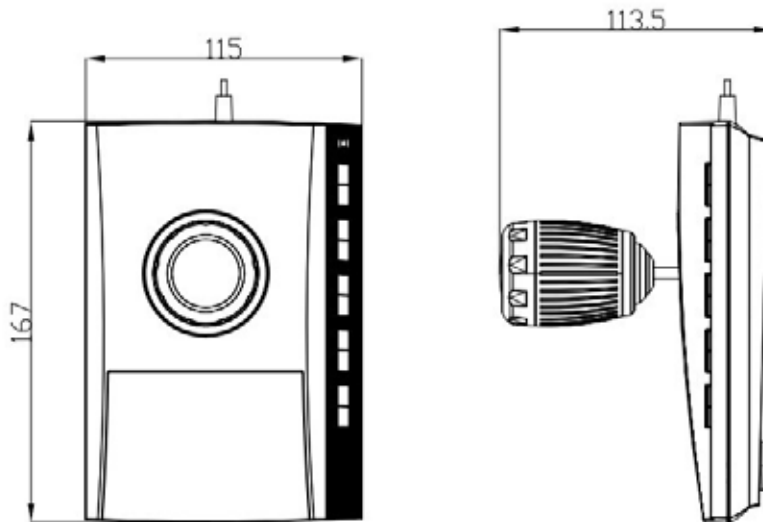


TELEMETRY KEYBOARD (TX)

KB-1001 Keyboard Controller



All specifications and product descriptions are subject to changes without notice.

Model	KB-1001
Communication	RS-485, Pelco D/P
Baud rate	2400, 4800 9600, 19200
Communication distance	RS-485 can reach 1.2 km
Input voltage	9V ~ 12VDC, 0.5W
Humidities	Less than 90%
Operation Temperature	-10°C ~ +50°C
Mechanical Dimentions mm	L167xW115xH114
Weight	0,530 kg