

# TELEMETRY KEYBOARD (TX)

## KB-1006 Keyboard with Angle Readout



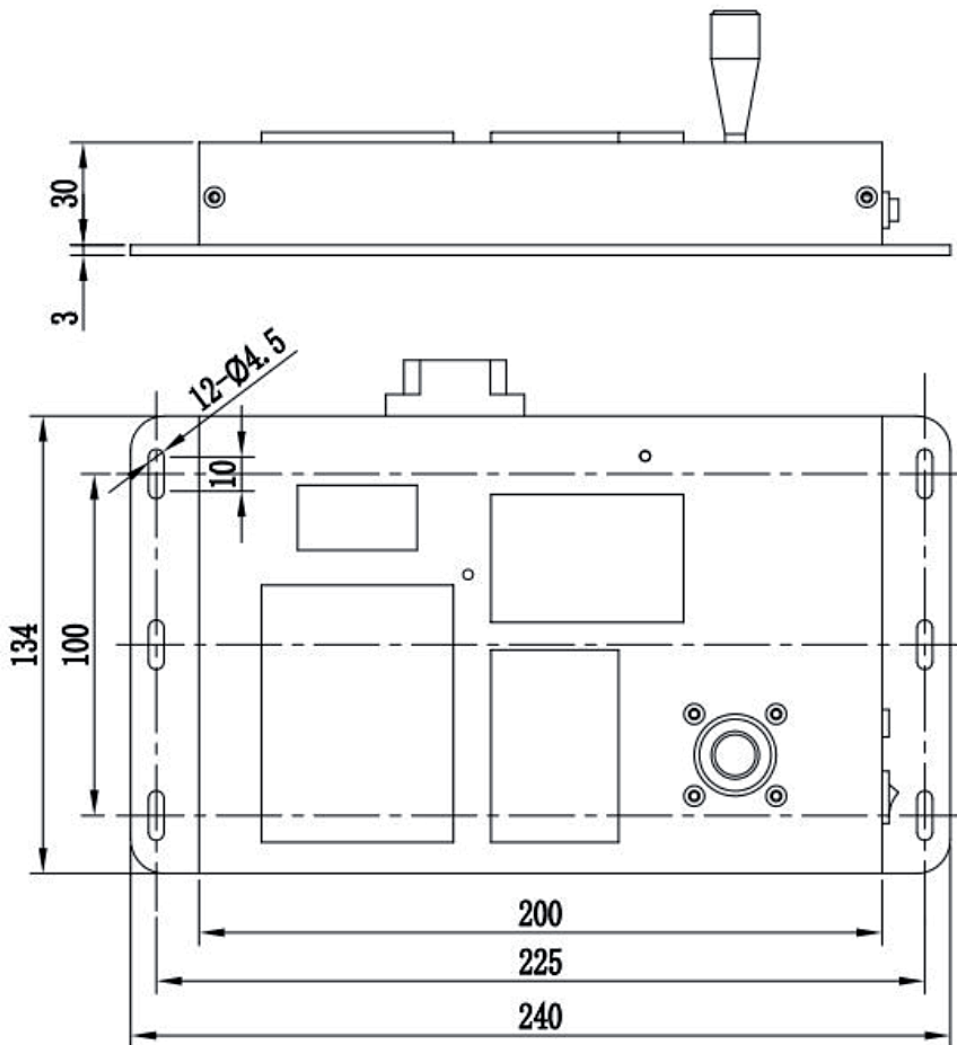
### Angle Read Out:

RS-485 "Up on command"  
RS-422 "Live angle Read Out"

Model	KB-1006
Input power	DC12V
Power Consumption	5W
Operation temp.	-40°~70°C
Operation humidity	<90% RH
Interface	RS485/RS422
Baud Rate	2400 4800 9600 19200
Protocol	Pelco-P/Pelco-D
Max Cable Distance	1200m
Dimension	240×134×33mm (L×W×H)
Weight	1 kg
Joystick	64 speed step resolution

# TELEMETRY KEYBOARD (TX)

## KB-1006 Keyboard with Angle Readout



All specifications and product descriptions are subject to changes without notice.